



date sheet
pergole

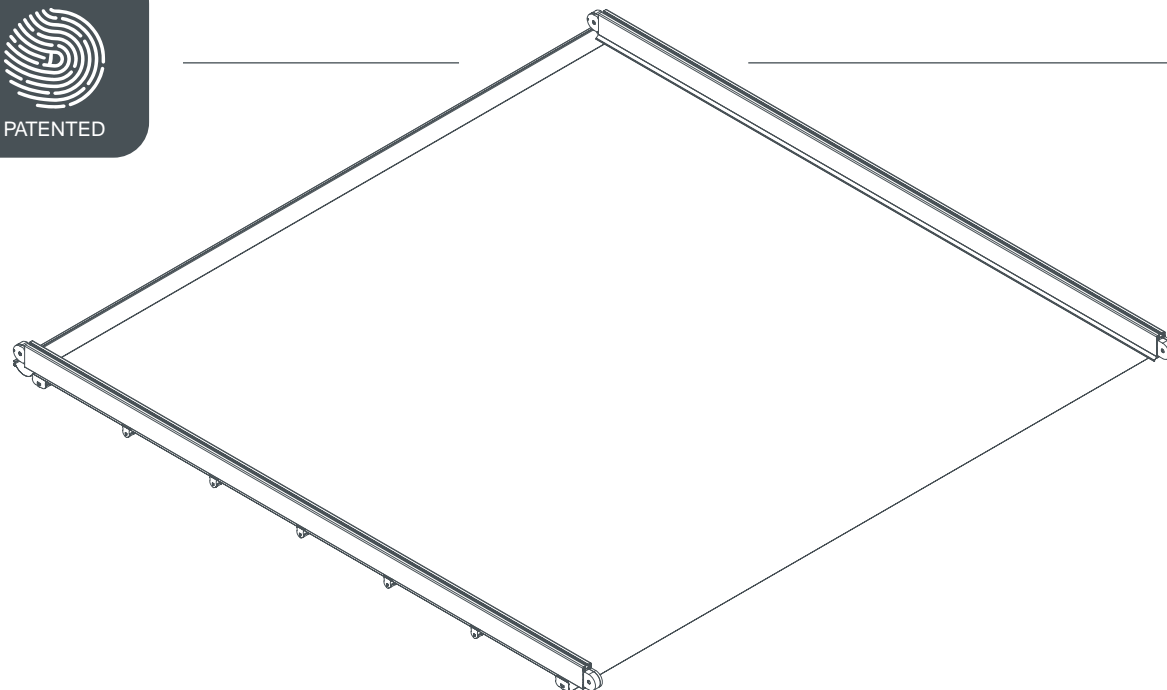
TEN DAL_

Dirello
ITALIAN OUTDOOR DESIGN

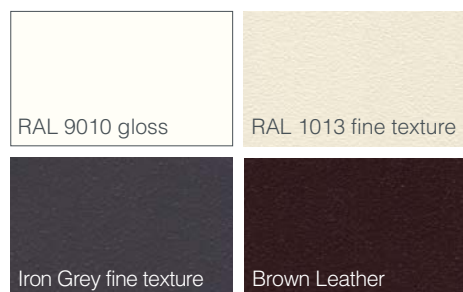


TENDAL

TENDAL is the horizontal awning with stretched canvas when open and folded when closed, thanks to a system of guides (section 115x50 mm) crossbar and sliding trolleys allowing the running of the awning. TENDAL designed to be installed on suitable pre-existing structures to provide a reliable protection against sun and rain, the solid intermediate profiles bear weathering loads exerted (snow excluded). The structure is supplied with PVC coated polyester fabric fireproof class 2, overshadow, stain-resistant and treated to protect the fabric from the action of UVA rays and against water and micrograms. Motion is with manual winch (max 15 sq. m.) or with electronic motor and remote control of your choice. Maximum dimensions 1300 cm wide by 700 cm projection, 91 sq. m. of floor space covered.



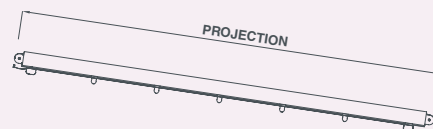
COATING standard //



TEXTILE standard //

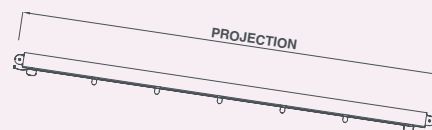


others coatings colors see related page //



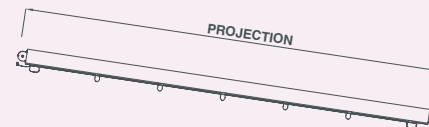
TENDAL // SINGLE FORM 2 GUIDES

(L: max 500 cm)
(S: max 700 cm)



TENDAL // DOUBLE FORM 3 GUIDES

(L: max 900 cm)
(S: max 700 cm)



TENDAL // TRIPLE FORM 4 GUIDES

(L: max 1300 cm)
(S: max 700 cm)

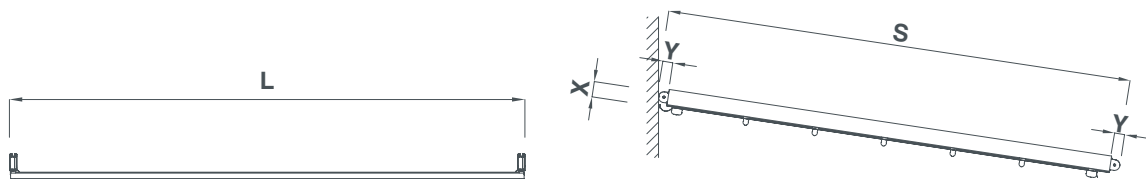
TENDAL // SINGLE FORM

To manage storm water runoff:
see slopes table page 43

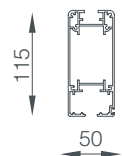
Wind resistance:
UNI EN 13561.2015:
class 3
(corresponding to grade six
on the Beaufort scale)

L width
S projection
X overall fixing dimension
Y overall pulley dimension

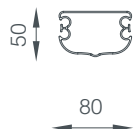
L	max total width	500 cm
S	max total projection	700 cm
X	overall fixing dimension	11,5 cm
Y	overall pulley dimension	8 cm



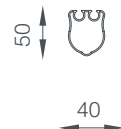
TECHNICAL DETAILS // STANDARD



SLIDING GUIDE



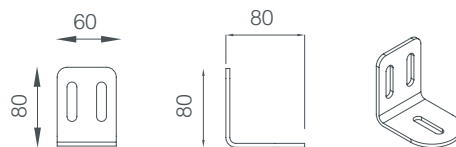
START/END PROFILE



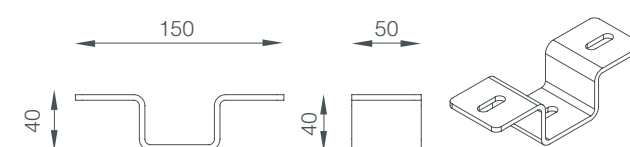
INTERMEDIATE PROFILE

FIXING OPTIONS //

FIXING BRACKET TYPE "L"



FIXING BRACKET TYPE "OMEGA"





type **stretched fabric - assembled**

WIDTH	type stretched fabric - assembled							start/end profiles	intermediate profiles	*advised fixing brackets	additional guide
	200	250	300	350	400	450	500				
	2 guides	2 guides	2 guides	2 guides	2 guides	2 guides	2 guides				
PROJECTION	200										
	250										
	300										
	350										
	400										
	450										
	500										
	550										
	600										
650											
700											

ADDITIONAL ELEMENTS

protection roof 75 cm (till max projection 350 cm)											pc.
protection roof 100 cm (min projection from 351 cm)											pc.
crossbeam for protection roof (section 115x50 mm)											pc.
beam for motor (115x50 mm)											pc.
additional intermediate profile											pc.
sliding gutter											pc.
outdoor LED system											pc.

Watt average values	25,2	31,5	37,8	44,1	50,4	56,7	63
---------------------	------	------	------	------	------	------	----

fixing bracket type "L"	pc.							Secure Box Motor (single and double form)	pc.					
fixing bracket type "Omega"	pc.							remote control Situo 1 IO	pc.					
drain kit	pc.							remote control Situo 5 IO	pc.					
manual winch (max projection 300 cm)	pc.							dimnable lights receiver IO - max 500 W	pc.					
								driver 24 V	<table border="1"> <tr> <td>up to 80 W</td> <td>up to 150 W</td> <td>up to 240 W</td> <td>up to 320 W</td> <td>up to 600 W</td> </tr> </table>	up to 80 W	up to 150 W	up to 240 W	up to 320 W	up to 600 W
up to 80 W	up to 150 W	up to 240 W	up to 320 W	up to 600 W										
								other remote controls and / or sensors see related page						

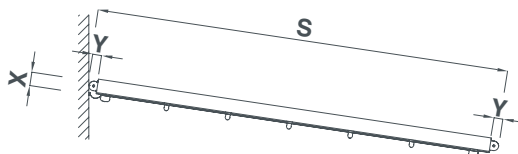
TENDAL // DOUBLE FORM

To manage storm water runoff:
see slopes table page 43

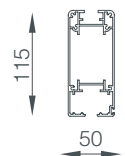
Wind resistance:
UNI EN 13561.2015:
class 3
(corresponding to grade six
on the Beaufort scale)

L width
S projection
X overall fixing dimension
Y overall pulley dimension

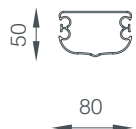
L	max total width	900 cm
S	max total projection	700 cm
X	overall fixing dimension	11,5 cm
Y	overall pulley dimension	8 cm



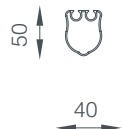
TECHNICAL DETAILS // STANDARD



SLIDING GUIDE



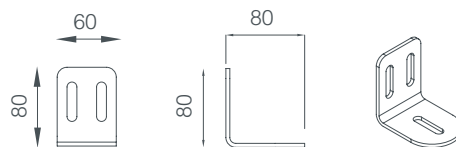
START/END PROFILE



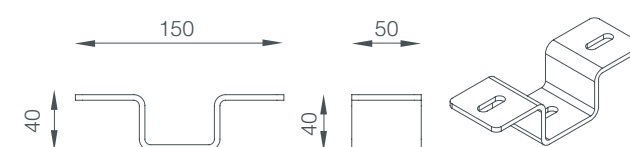
INTERMEDIATE PROFILE

FIXING OPTIONS //

FIXING BRACKET TYPE "L"



FIXING BRACKET TYPE "OMEGA"





WIDTH	type stretched fabric - assembled (up to L: max 700 cm)					type stretched canvas - not assembled*					start/end profiles	intermediate profiles	*advised fixing brackets	add. guide	
	500	550	600	650	700	750	800	850	900						
	3 guides	3 guides	3 guides	3 guides	3 guides	3 guides	3 guides	3 guides	3 guides						
PROJECTION	200										2	2	6		
	250										2	3	6		
	300										2	4	6		
	350										2	5	9		
	400										2	6	9		
	450										2	7	9		
	500										2	8	9		
	550										2	9	12		
	600										2	10	12		
	650										2	11	12		
700										2	12	15			

ADDITIONAL ELEMENTS

protection roof 75 cm (till max projection 350 cm)															pc.
protection roof 100 cm (min projection from 351 cm)															pc.
crossbeam for protection roof (section 115x50 mm)															pc.
beam for motor (115x50 mm)															pc.
additional intermediate profile															pc.
sliding gutter															pc.
outdoor LED system															pc.

Watt average values	63	69,3	75,6	81,9	88,2	94,5	100,8	107,1	113,4						
---------------------	----	------	------	------	------	------	-------	-------	-------	--	--	--	--	--	--

fixing bracket type "L"															pc.
fixing bracket type "Omega"															pc.
drain kit															pc.
															Secure Box Motor (single and double form)
															remote control Situo 1 IO
															remote control Situo 5 IO
															dimnable lights receiver IO - max 500 W
															pc.
															driver 24 V
															up to 80 W
															up to 150 W
															up to 240 W
															up to 320 W
															up to 600 W

(*) It is recommended to use Fabric Stretching Tool. For prices and information, contact the sales office. other remote controls and / or sensors see related page

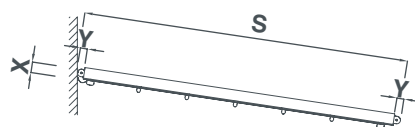
TENDAL // TRIPLE FORM

To manage storm water runoff:
see slopes table page 43

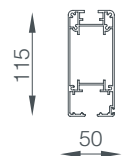
Wind resistance:
UNI EN 13561.2015:
class 3
(corresponding to grade six on the Beaufort scale)

L width
S projection
X overall fixing dimension
Y overall pulley dimension

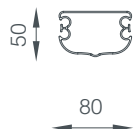
L	max total width	1300 cm
S	max total projection	700 cm
X	overall fixing dimension	11,5 cm
Y	overall pulley dimension	8 cm



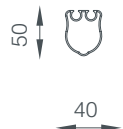
TECHNICAL DETAILS // STANDARD



SLIDING GUIDE



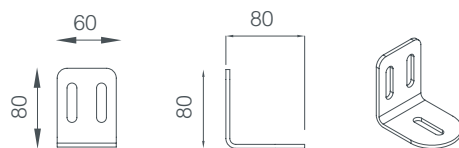
START/END PROFILE



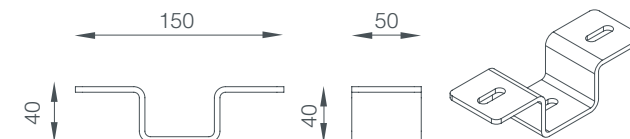
INTERMEDIATE PROFILE

FIXING OPTIONS //

FIXING BRACKET TYPE "L"



FIXING BRACKET TYPE "OMEGA"





		type stretched canvas - not assembled*							start/end profiles	intermediate profiles	*advised fixing brackets	add. guide
WIDTH		950	1000	1050	1100	1150	1200	1250				
		4 guides	4 guides	4 guides	4 guides	4 guides	4 guides	4 guides	4 guides			
PROJECTION	200									2	2	8
	250									2	3	8
	300									2	4	8
	350									2	5	12
	400									2	6	12
	450									2	7	12
	500									2	8	12
	550									2	9	16
	600									2	10	16
	650									2	11	16
	700									2	12	20

ADDITIONAL ELEMENTS

protection roof 75 cm (till max projection 350 cm)	pc.
protection roof 100 cm (min projectionf from 351 cm)	pc.
crossbeam for protection roof (section 115x50 mm)	pc.
beam for motor (115x50 mm)	pc.
additional intermediate profile	pc.
sliding gutter	pc.
outdoor LED system	pc.

Watt average values	119,7	126	132,3	138,6	144,9	151,2	157,5	163,8
---------------------	-------	-----	-------	-------	-------	-------	-------	-------

fixing bracket type "L"	pc.	motore Secure Box IO (triple form)	pc.					
fixing bracket type "Omega"	pc.	remote control Situo 1 IO	pc.					
drain kit	pc.	remote control Situo 5 IO	pc.					
		dimnable lights receiver IO - max 500 W	pc.					
		driver 24 V	<table border="1"> <tr> <td>up to 80 W</td> <td>up to 150 W</td> <td>up to 240 W</td> <td>up to 320 W</td> <td>up to 600 W</td> </tr> </table>	up to 80 W	up to 150 W	up to 240 W	up to 320 W	up to 600 W
up to 80 W	up to 150 W	up to 240 W	up to 320 W	up to 600 W				

(*) It is recommended to use Fabric Stretching Tool. For prices and information, contact the sales office.

other remote controls and / or sensors see related page

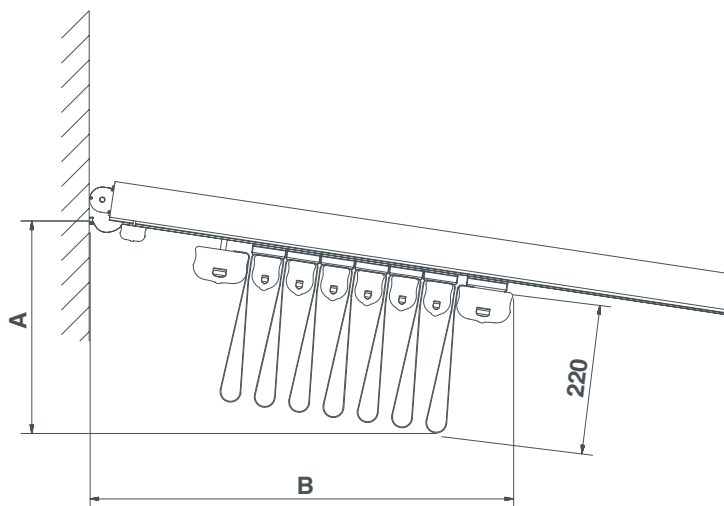


TABLE - CANVAS OVERALL DIMENSION //

		TOTAL NUMBER CANVAS PROFILE											
		4	5	6	7	8	9	10	11	12	13	14	
PROJECTION	200	27.1											
	250	27.7											
	300	28.4											
	350		29										
	400		29.7										
	450		30.2										
	500		30.9										
	550			31.5									
	600			31.9									
	650				32.7								
	700					33.4							
			42.5	47.6	52.7	57.7	62.8	67.8	72.9	78.0	83.0	88.1	93.2
													B

* The table figures are in cm and show the overall dimensions of folded canvas with slope reference of 15%. The values are to be considered purely indicative.

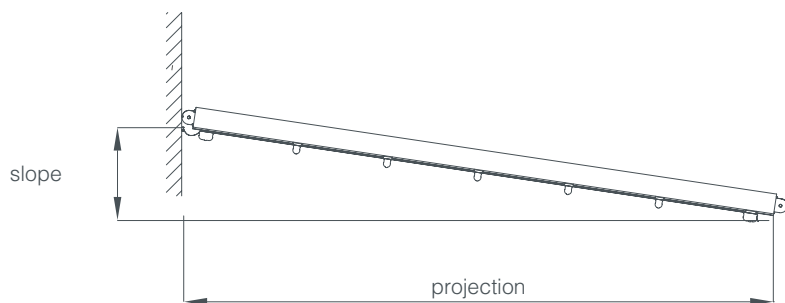


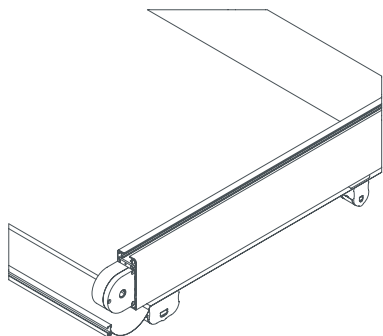
TABLE - SLOPES //

	INTERAXIS	200	250	300	350	400	450	500
	ADVISED SLOPE	8%	9,5%	11,5%	13,5%	15%	17%	19%
PROJECTION	200	16	19	23	27	30	34	38
	250	20	24	29	34	38	43	48
	300	24	29	35	41	45	51	57
	350	28	33	40	47	53	60	67
	400	32	38	46	54	60	68	76
	450	36	43	52	61	68	77	86
	500	40	48	58	68	75	85	95
	550	44	52	63	74	83	94	105
	600	48	57	69	81	90	102	114
	650	52	62	75	88	98	111	124
700	56	67	81	95	105	119	133	

- * The table figures are in cm and show the requirement for front drainage of rainwater.
- * In the case of awnings with multiple forms always refer to the form with wider interaxis.
- * Values inclusive of overall dimensions gutter+roof+wall beam (34.5)

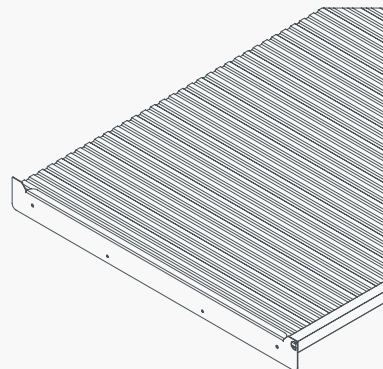
STANDARD ELEMENTS //

ADDITIONAL ELEMENTS //



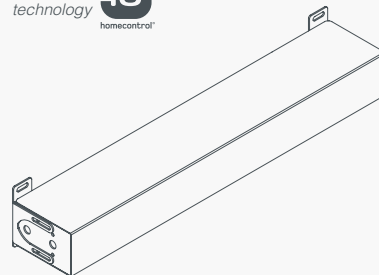
VELCRO WALL TRACK

Wall mounted extruded aluminum profile to connect the valance with adhesive Velcro.



PROTECTION ROOF

Extruded aluminum slats and edging profiles with seal gasket.



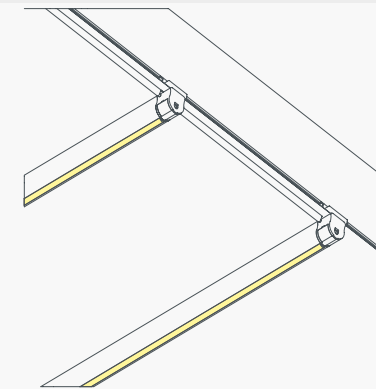
IO MOTOR CONTROL

Electronic tubular motor for sliding and tensioning the awning fabric supplied in a protective box, Secure Box in stainless steel.



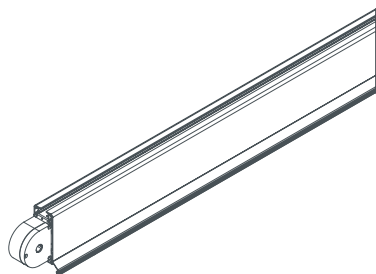
WINCH CONTROL

Manual-operation Manually operated sliding canvas roof, only for 2 guides type and up to 300 cm projection.



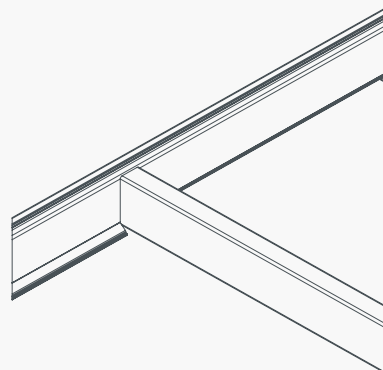
LED LIGHTING

Outdoor LED system is the patented LED lighting, applied on the intermediate profiles. see related pages



DRIPLESS PROFILE

Aluminum profile with seal gasket to limit side infiltration of rainwater that might occur in the case of wind and rain.



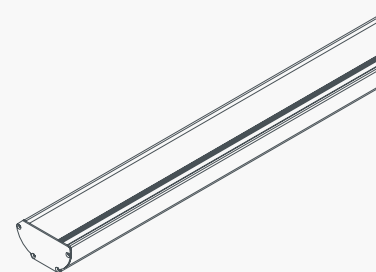
CROSSBEAM

Additional extruded aluminum profile, to support the protection roof.



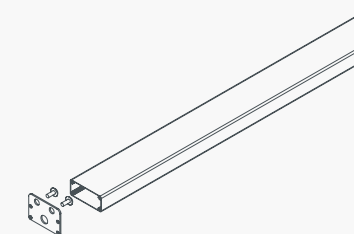
DRAIN KIT

To be fixed to the additional gutter to allow rainwater runoff. The kit includes fittings and hose H 300 cm Not combinable with sliding gutter.



SLIDING GUTTER

Extruded aluminum profile for rainwater collection.



BEAM FOR MOTOR

Additional aluminum profile to hold the secure motor box.



OUTDOOR LED SYSTEM



OUTDOOR LED SYSTEM is a patented LED light source, a new concept of light that spread over the length of the intermediate profile built-in in the pergola. The power cable are hidden in the canvas to ensures a perfect aesthetic result a clean smooth continuous and homogeneous lighting.

OUTDOOR LED SYSTEM is a decorative and versatile solution to enhance the sets of outdoor ambiance.



Models suitable for
OUTDOOR LED SYSTEM



outdoor led system



OUTDOOR LED SYSTEM



Visible spectrum of color temperatures

OUTDOOR LED SYSTEM 3000 K

Color: Warm Light
 Degrees Kelvin: 3000K
 Lumen: 400 lumen/mt
 IP Rating: IP65
 Power / Voltage: 12,6W/m ~ 24V

OUTDOOR LED SYSTEM 6000 K

Color: Luce Fredda
 Degrees Kelvin: 6000K
 Lumen: 400 lumen/mt
 IP Rating: IP65
 Power / Voltage: 12,6W/m ~ 24V

TABLE VOLT/WATT

transformer	24V up to 80W	24V up to 150W	24V up to 240W	24V up to 320W	24V up to 600W
-------------	---------------	----------------	----------------	----------------	----------------

TABLE WATT

dimnable light receiver IO	maximum 500 Watt / cd.
----------------------------	------------------------

TABLE AVERAGE VALUE WATT/LUMEN

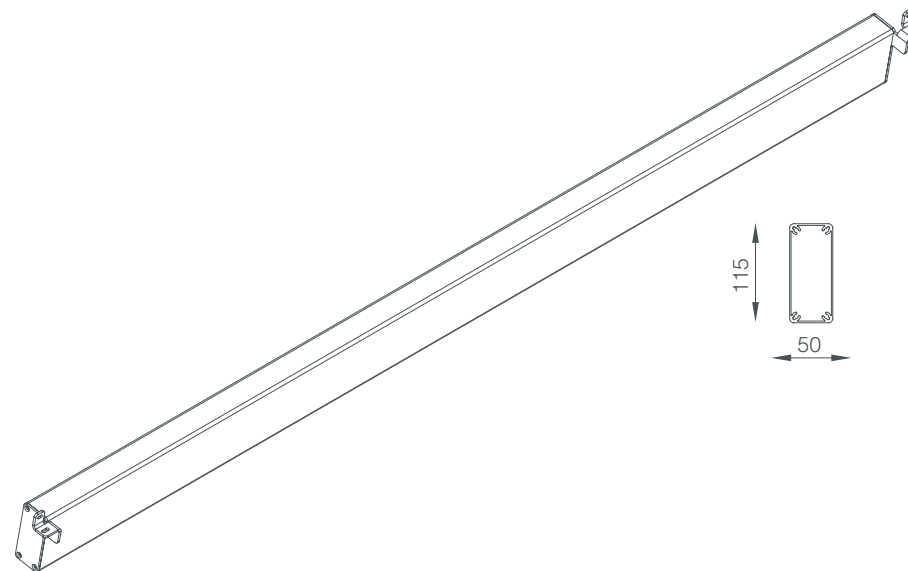
LENGTH LED TUBE	200	250	300	350	400	450	500	550	600	650	700	750	800	850	900	950	1000	1050	1100	1150	1200	1250	1300
-----------------	-----	-----	-----	-----	-----	-----	-----	-----	-----	-----	-----	-----	-----	-----	-----	-----	------	------	------	------	------	------	------

Watt/ML

Lumen/ML

CROSSBEAM // 115x50 mm

Additional extruded aluminum profile to support of the protection roof.



SINGLE FORM

LENGTH	200	250	300	350	400	450	500

DOUBLE FORM

LENGTH	500	550	600	650	700	750	800	850	900

TRIPLE FORM

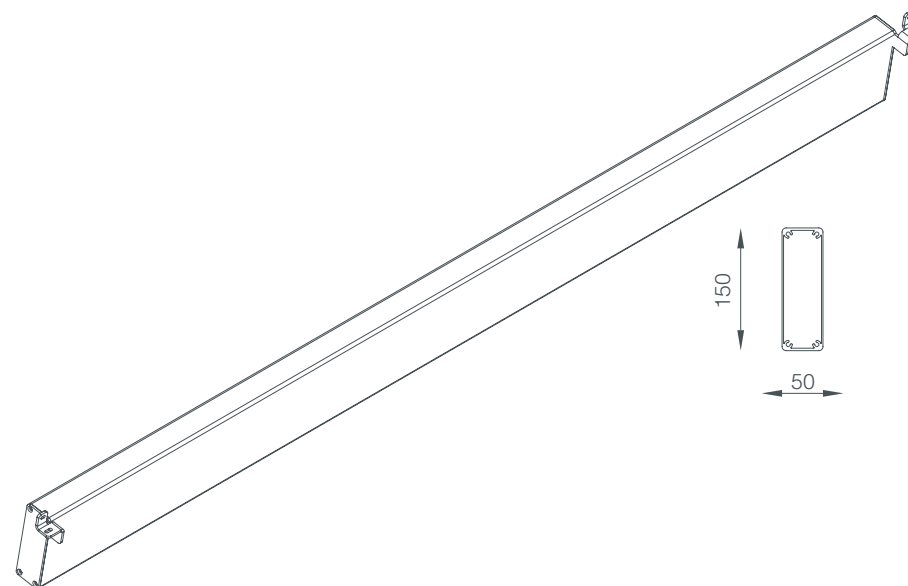
LENGTH	950	1000	1050	1100	1150	1200	1250	1300

TABLE - CROSSBAR IDENTIFICATION

MODEL	115x50	150x50
kompakt	•	
even		•
flexia	•	
fly	•	
fusion		•
majestic		•
quick		•
skylight		•
star		•
tendal	•	

CROSSBEAM // 150x50 mm

Additional extruded aluminum profile to support of the protection roof.



SINGLE FORM

LENGTH	200	250	300	350	400	450	500

DOUBLE FORM

LENGTH	500	550	600	650	700	750	800	850	900

TRIPLE FORM

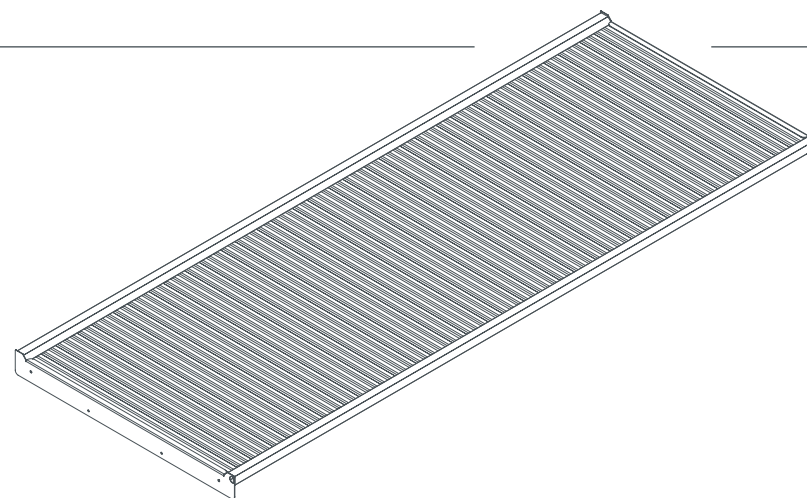
LENGTH	950	1000	1050	1100	1150	1200	1250	1300

TABLE - CROSSBAR IDENTIFICATION

MODEL	115x50	150x50
kompakt	•	
even		•
flexia	•	
fly	•	
fusion		•
majestic		•
quick		•
skylight		•
star		•
tendal	•	

PROTECTION ROOF

The protection Roof protect the awning fabric from atmospheric agents and prevent the formation of water pockets. Made of extruded aluminum slats and edging profiles with seal gasket.



SINGLE FORM

WIDTH 200 250 300 350 400 450 500

PROJECTION

up to cm 350 h 75
from 351 to 700 cm h 100

DOUBLE FORM

WIDTH 500 550 600 650 700 750 800 850 900

PROJECTION

up to cm 350 h 75
from 351 to 700cm h 100

TRIPLE FORM

WIDTH 950 1000 1050 1100 1150 1200 1250 1300

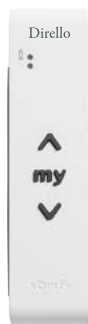
PROJECTION

up to cm 350 h 75
from 351 to 700 cm h 100

CONTROL FUNCTIONS //

SITUO 1 IO - single-channel

Single-channel remote control with individual or group control function.
Supplied with wall support



SITUO 5 IO - 5 channels

5 channels remote control with local control or group control function.
Supplied with wall support.



NINA

multi-channel touch screen remote control and home automation for the different devices.
Integrable with remote controls Situo 1 IO and / or Situo 5 IO.



EOLIS WIREFREE IO

Wind sensor

Wirefree sensors IO battery powered.
Freedom of installation on the facade.



LIGHTING RECEIVER

VARIATION IO

dimmmable lights receiver for a LED lighting system.
Integrable with other IO devices.
Maximum power 500 W each.



Kit equipped with Rain sensor for detecting rainfall, combined with the IO contact dry transmitter.

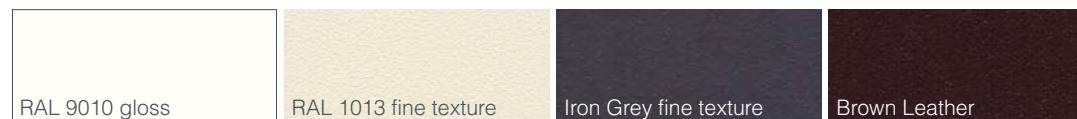


COATING

Our profiles have a chromatic mark, connected to the nature of places and in harmony with the architectural contexts, with distinctive feature of high quality. The coating of our profiles takes place three cycles:

- > Chemical pre-treatment process to the raw aluminum profile for perfect finish and long lasting protection;
- > Application of polyester powder using automatic electrostatic spray guns;
- > Curing conditions at 200° to get an extra strong final coating, increasing the mechanical characteristics of the profile.

COATING STANDARD //

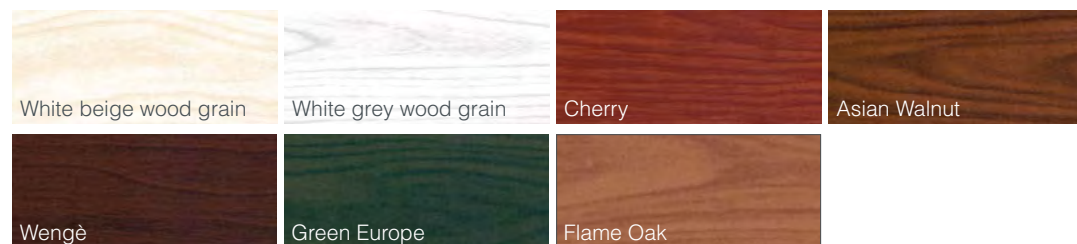


SPECIAL COATING //



The wood-grain effect is a coating that faithfully reproduce main essences of wood

COATING WOOD GRAIN EFFECT //



The reproductions of the coatings are indicative.

Dirello

ITALIAN OUTDOOR DESIGN

Dirello S.r.l.

viale dell'Artigianato, 31
70026 / Modugno / Ba / Italia
t. +39 080 532 0903
t. +39 080 536 7628
f. +39 080 530 9255
P.IVA / C.F.: IT 07831630723
info@dirello.com



dirello.com

Follow us:



Google+



by



info@pergolasbioclimaticas.net
(+34) 663 974 209

